

SDL-001 – Turnout driver for Tortoise(TM) switch machine

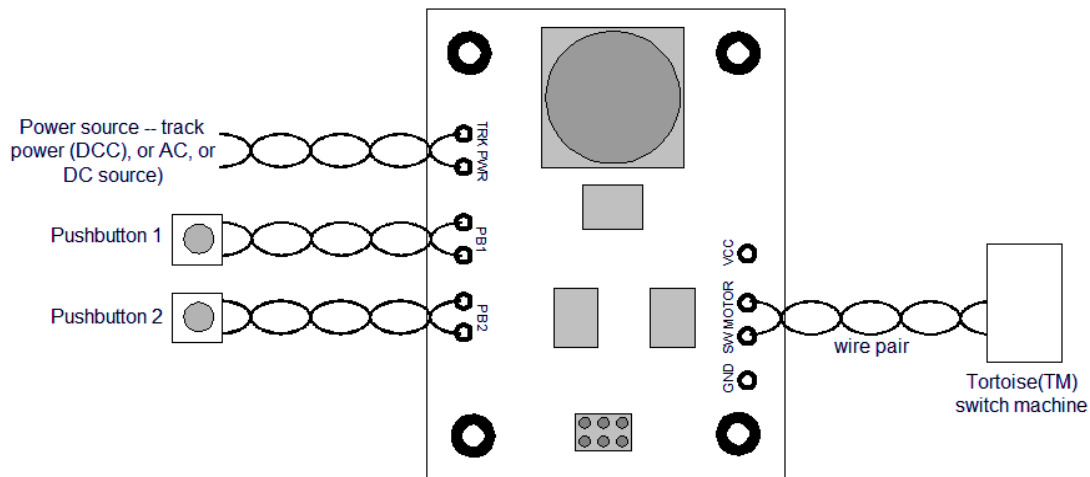
The SDL-001 drives a Tortoise(TM) slow motion switch machine. It maybe powered from either track power (DCC) or a low voltage AC or DC supply (from 9V – 15V) obtainable from a “wall wart”. The SDL-001 is activated by a momentary-contact pushbutton switch. Provisions are made for the user to activate the switch using two pushbuttons, making the driver ideal for use in a Free-mo module, where one pushbutton is required on each side of the module.

The SDL-001 comes in two variants:

- **SDL-001-N:** Only the circuit board itself. The user must provide external hardware (pushbuttons), and wire the unit into his layout himself. A wiring diagram is shown below.
- **SDL-001-W:** The circuit board is pre-wired with two pushbutton switches, a connector for the Tortoise(TM) switch, and a length of twisted pair wire for connection to a power source.

Mounting and wiring

The SDL-001 may be mounted to your layout with ordinary #6 screws using the four mounting holes at the corners of the device.



Wiring diagram (not to scale)

The unit is wired as shown in the diagram. The wires connecting to the PC board are indicated as twisted pair. If you are using the SDL-001-N, then you must solder the wires (and other components) to the board yourself. If you are using the SDL-001-W, the board comes pre-wired with pushbuttons, a Tortoise(TM) card-edge connector, and a length of wire pair for connection to a power source. If you use your own pushbuttons, they must be of the “normally off, momentary-contact” type. Some suggested components are shown in the table, but you can use your own component choices instead.

Component	Suggested P/N (DigiKey)	Suggested P/N (Jameco)	Comment
Pushbutton	450-1110-ND	26623	Momentary contact, normally open. Choose either vendor as desired.
Tortoise connector	GEM08DSEN-ND		Optional – user may solder wires directly to Tortoise(TM).

Manufactured in the USA by Electroniscript, inc.

PO Box 406

Arlington, MA 02476

<http://www.electroniscript.com/>

Tortoise(TM) is a trademark of Circuitron, Romeoville, IL, USA.